

Eye-Sight

This series is designed for security professionals and offers superior image quality, advanced AI analytics, seamless connectivity, and unparalleled insight and protection, with options and configurations to meet specific needs. The Check Point Quantum IoT Nano and DDA2 Analytics provide detailed attribute analysis and advanced threat prevention.



DH-340ADN-MVF-G-V4

4MP Active Deterrence MVF Lens Dome/Turret Camera with Hybrid LED and DDA2 Analytics

Active deterrence cameras are designed to deter unwanted visitors by activating visual and audio alerts. Equipped with a 2.8-12mm motorized lens, this 4MP Dome/Turret camera is intended for medium-distance surveillance (up to 40m) in indoor and outdoor scenarios. This model complies with NDAA demands and ensures your device is cyber-protected round the clock with the integrated Check Point Quantum IoT Nano agent that provides an advanced threat prevention layer against the common attack vectors at runtime. The camera offers broad possibilities for Analytics, from Face Detection to the outstanding DDA Analytics (Detect, Distinguish, Alert) and the newly developed DDA2, which can perform object recognition, object counting, and investigate specifics such as age, color, gender, vehicle brand and much more. With various detection rules and triggers, the DH-340ADN-MVF-G-V4 camera is here to end false alarms.



| | | | | |
|----------------------|---------------------------|------------------|-----|-------------|
| 1/3 Sensor family | 40m IR IR View 0 Lux | 40m White LED | PoE | WDR True |
| Build-in Mic | IP66 Protection rating | Alarm IN/OUT | | |

| | | |
|-----------------|----------------|-------------------|
| DDA 2 ANALYTICS | Hybrid | Active deterrence |
| NDAA | MOTORIZED LENS | ONVIF T S G |

MAIN FEATURES

- DH-340ADN-MVF-G-V4 4MP Active Deterrence MVF Lens Dome/Turret Camera with Hybrid LED and DDA2 Analytics
- Sensor: 1/3" CMOS
- Resolution: 2688x1520 20FPS (4MP)
- Lens: 2.8-12mm MVF with Auto Focus (95°-32°) ICR + 24/7 Full-Color Day Mode
- Illumination: 40m (1 High-Power IR LED) + 40m (1 High-Power White LEDs) + Red/Blue Strobe Lights
- Compression: H.265+ / H.264+ / H.265 / H.264 / MJPEG
- Quantum IoT Nano agent by Check Point™
- General Analytics: Camera Tampering
- Human & Vehicle Recognition: Sterile Area, Line Crossing, Object Counting (Line), Object Counting (Area), Loitering Detection, Illegal Parking Detection
- AI (Face Detection): 10 Faces per frame
- AI: Heatmap
- DDA2: Advanced Object Classification
- True WDR (120dB), BLC, HLC, ROI
- SD Card: Event/Schedule Record (Up to 256GB)
- Alarm in + Alarm Out
- Built-in Microphone and Speaker + Audio Input / Output
- ONVIF: Profile T/S/G
- Water Proof: IP66
- Weight: ~750g
- Power: DC12V/~850mA / PoE/~12.5W



SPECIFICATIONS

| 3rd Party Cyber Protection | |
|----------------------------|---|
| General | Quantum IoT Nano agent by Check Point™ |
| Protection Methods | Shell injection protection, File Monitor, Import-Table Protection, Dynamic-Memory Protection |
| NDA Compliant | |
| NDA Compliant | Yes |
| Video | |
| Image Sensor | 1/3" CMOS |
| Effective Pixels | 2688×1520 |
| Electronic Shutter | 1/3s ~ 1/100000s |
| Day & Night | ICR + 24/7 Full-Color Day Mode |
| Min. Illumination | 0.02lux (@F1.4, AGC on) 0lux with IR on |
| Audio | |
| Audio compression | G.711A/G.711U |
| Communication | Two-way Audio |
| Image | |
| Image Settings | AWB, AGC Adjustable, Exposure Mode (Auto) Sharpness, Saturation, Brightness & Contrast Adjustable |
| Image Enhancement | True WDR (120dB), BLC, HLC, ROI |
| Noise Reduction | 3D-DNR |
| Image Orientation | Mirror/Flip, Corridor Mode |
| Privacy Zone | Yes |
| Events and Analytics | |
| Analytics | General Analytics: Camera Tampering Human & Vehicle Recognition: Sterile Area, Line Crossing, Object Counting (Line), Object Counting (Area), Loitering Detection, Illegal Parking Detection AI (Face Detection): 10 Faces per frame AI: Heatmap DDA2: Advanced Object Classification |
| Motion Detection | Yes |
| Metadata | Human: Gender, Age, Direction, Hat, Glasses, Backpack, Upper clothing type, Upper clothing color, Lower clothing type, Lower clothing color, Skirt/Dress, Mask, Shoulderbag Car/Truck: Color, Type, Brand, Model 2-Wheel: Type |

| Compression | |
|--------------------------|--|
| Resolution | 4MP / 2K / 3MP / 2MP / 1MP / D1 / QVGA / CIF |
| Frame Rate | 1-25/30FPS |
| Video Compression | H.265+ / H.264+ / H.265 / H.264 / MJPEG** |
| Multi-Stream | Master Stream: 4MP(2688x1520) / 4MP(2592x1520) / 2K (2560x1440) / 3MP / 2MP / 1MP Substream: 1MP/D1/VGA/640x360/480x240/CIF Third Stream: 1MP/D1/480x240/CIF (1~30fps) |
| Bit Rate | 128Kbps ~ 7Mbps@H.265 / 256Kbps ~ 8Mbps@H.264 |
| Encode Mode | VBR/CBR |
| Image Quality | Five levels under VBR; Free adjustment under CBR |

| Lens | |
|-----------------------------|--|
| Lens (Field of View) | 2.8-12mm MVF with Auto Focus (95°-32°) |
| Iris | DC Iris |
| Lens Mount | Ø14 Mount |
| Detect | 2.8~12mm(W): 60.09m(197.14ft) - 2.8~12mm(T): 175.72m(576.50ft) |
| Recognize | 2.8~12mm(W): 12.01m(39.40ft) - 2.8~12mm(T): 35.14m(115.28ft) |
| Identify | 2.8~12mm(W): 6.00m(19.68ft) - 2.8~12mm(T): 17.57m(57.64ft) |

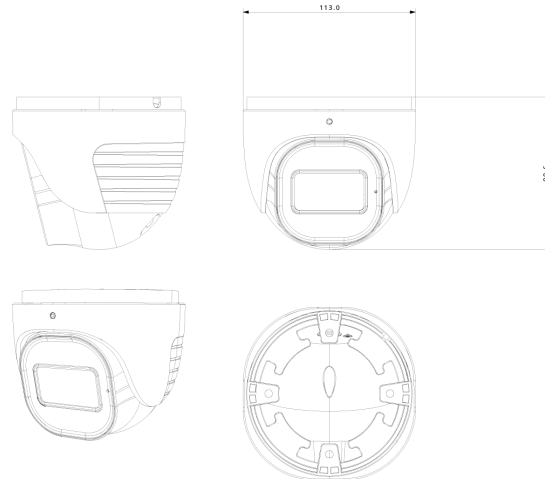
| Network | |
|--------------------------|---|
| User Access | multi-stream real time transmission |
| Network Protocol | SNMP |
| Remote Monitoring | IE Browsing (Plug-In required), Chrome/Edge/Safari/Firefox plug-in free browsing, Ossia VMS Software, Provision Cam2 Mobile App *P2P WEB connetion always requires Plugin |
| Ethernet | 100Mbps |
| ONVIF | Profile T/S/G |

| Connectivity | |
|----------------|-------------|
| Network | RJ45 (+PoE) |

| | |
|----------------------------|---|
| Audio Connectivity | Built-in Microphone and Speaker + Audio Input / Output |
| Alarm | Alarm in + Alarm Out |
| SD Card | Event/Schedule based Main/Substream recording (Up to 256GB) |
| Wiegand | N/A |
| Power | DC Socket |
| Analog Video Output | No |

| Housing | |
|--------------------------|--|
| PoE | Yes |
| Illumination | 40m (1 High-Power IR LED) 40m (1 High-Power White LEDs) Red/Blue Strobe Lights |
| Power Supply | DC12V/~850mA / PoE/~12.5W |
| Protection Rate | Water Proof: IP66 |
| Work Environment | -30°C~60°C, 10%~90% Humidity |
| Bracket | 3-Axis Bracket |
| Dimensions | Ø113mm×99.6mm |
| Weight (gross) | ~750g |
| Hard Reset Button | Yes |

DIMENSIONS



ACCESSORIES

